

# Technology and Computer Teachers

Mr. Cadawas - Department Head  
Computer Studies/Science  
Computer Engineering Technology  
Computer Networking



Ms. Morasutti  
Communication Technology  
Technological Design  
Interior Design



Mr. Gibb  
Exploring Technologies  
Communication Technology



Mr. MacDonald  
Technological Design



[www.staugustinechs.ca](http://www.staugustinechs.ca)

# Technology Department



# Technology Course Streams

## Exploring Technologies

- Grade 9
- Introduction to all of the department's technologies: Computer Science/Engineering, Design and Communications Technologies
- Hands on projects. Some previous projects were: Egg Crash Car, Mighty Bridge, Roller Coaster, Fan Club HTML Webpage, Flash Animation For The Environment

## Computer Studies/Science

- Grades 10 - 12
- Learn how to design, write, test and deploy computer programs
- Learn how to manage projects and communicate with clients
- Use industry leading technologies to create dynamic software
- Java, XNA, C#, HTML, Javascript, Flash, Actionscript
- GUIs, OOP, Threading

## Computer Engineering

- Grades 11 - 12
- Learn how to build and maintain PCs
- Learn how to create and debug analog and digital electronic circuits
- Learn how to create your own customized PC add on device
- Build a sumo-bot
- Setup a LAN

## Computer Networking

- Grades 11 - 12
- Learn how to design, build and test networks from LANs to corporate WANs
- Configure and maintain corporate routers
- Industry standard Cisco Networking Systems CCNA1 and CCNA2 certification
- CCNA1 and CCNA2 can be used for postsecondary credit

## Technological Design

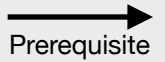
- Grades 10 - 12
- Learn how to design products from cars to bridges
- Learn technical drawing, CAD, and effective blueprint reading
- Learn about residential design and construction
- Learn about aerodynamics, force, structure and materials
- Obtain practical skills in using various hand tools and power-tools
- NEW - Grade 11 Tech Design - Interior Design Course

## Communications Technology

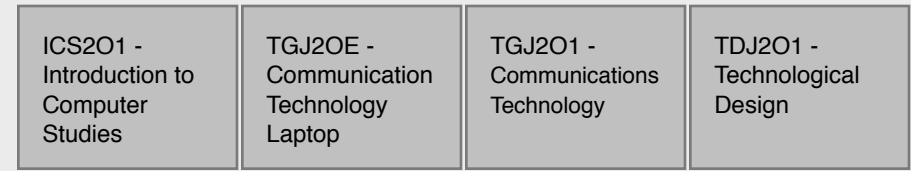
- Grades 10 - 12
- Learn to create products in many different medias: Video, Photo, Desktop Publishing, Web Pages, Animation, Audio
- Learn product design
- Learn how to communicate effectively with clients while working on designs and products
- Use industry leading technologies: Adobe CS3/CS4: Premiere, Photoshop, Flash, Dreamweaver, InDesign, Illustrator, and Soundbooth
- Obtain experience in our studio equipped with: chroma key screen and stage, video and audio mixing equipment
- Grade 10 Comm Tech is mandatory for all laptop learning students

# Course Pathways

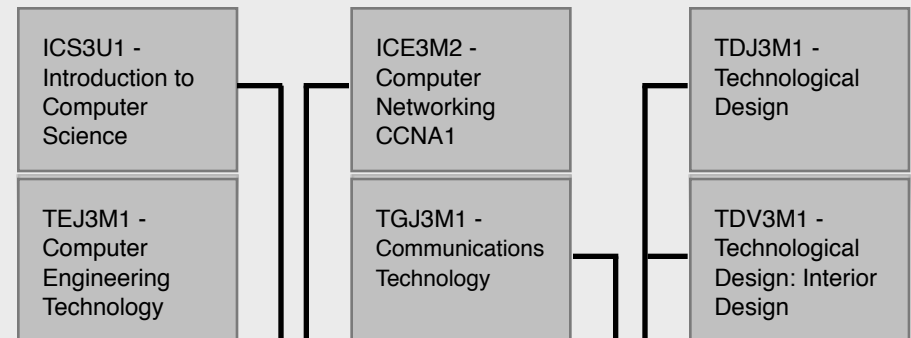
Grade 9



Grade 10



Grade 11



Grade 12

